

## AXP-9191-IoT/AXP-9391-IoT/AXP-9791-IoT

1/3/7-slot Metal Standard PAC with E3950 CPU and Win10 IoT

### Features

- Windows 10 IoT Enterprise (64-bit)
- Intel Atom® E3950 Processor (1.6 ~ 2.0 GHz, 4C4T)
- 8 GB DDR4 SDRAM
- 128 GB SSD
- VGA / HDMI Display Output
- 2x 10/100/1000M Ethernet Ports
- Redundant Power Input



### Introduction

The AXP-9000-IOT are Windows 10 IoT based PACs that combine computing, I/O, and operator interface into a single unit, and provide the perfect solution for integrating HMI, data acquisition and control in an individual PAC. It is equipped with an E3950(1.6 ~ 2.0 GHz, 4C4T) CPU, 0/2/6 I/O expansion slots and a variety of connectives including dual Gigabit Ethernet, VGA, HDMI, USB port, RS-232 and RS-485 interface. Local I/O slots are available to use our I-9K, I-97K, e-9K series I/O modules and remote I/O expansions are available to use our Ethernet I/O modules and RS-485 I/O modules.

AXP-9000-IoT has a built-in Windows 10 IoT Enterprise operating system, which can support both the Universal Windows App and traditional Windows applications simultaneously. For software development tools, it can maintain maximum sharing with Windows 10, and applications can be quickly ported to AXP-9000 and deployed in a variety of harsh environments.

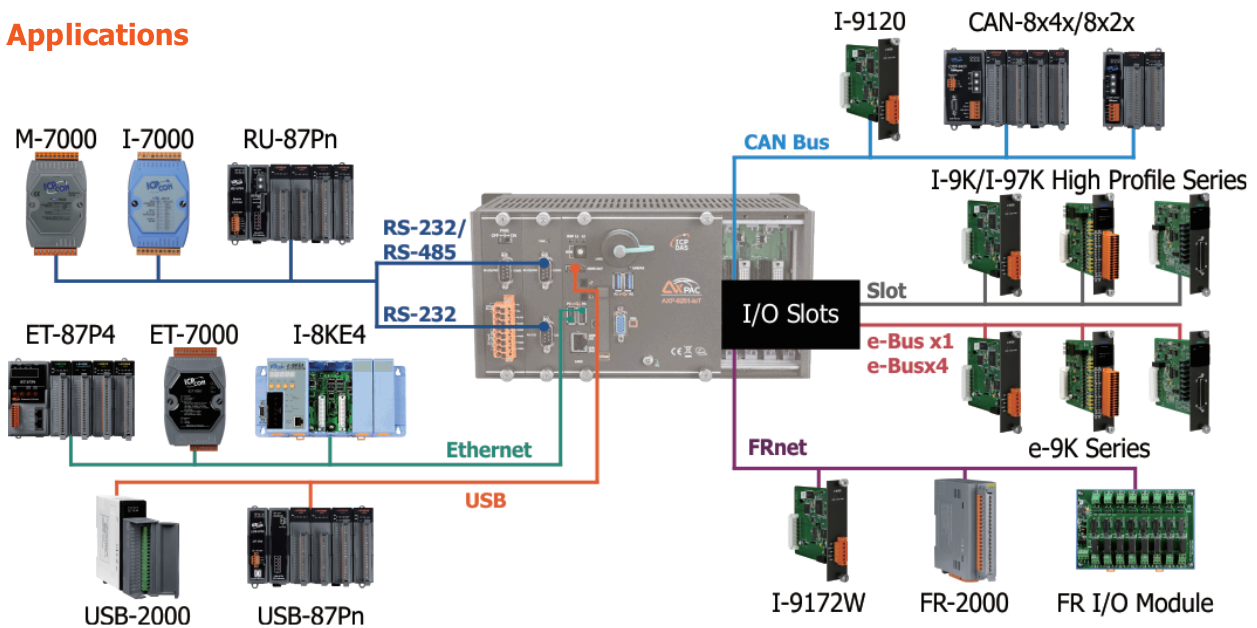
### What is Windows 10 IoT?



Windows 10 IoT is a member of the Windows 10 family that brings enterprise-class power, security and manageability to the Internet of Things. It leverages Windows' embedded experience, ecosystem and cloud connectivity, allowing organizations to create their Internet of Things with secure devices that can be quickly provisioned, easily managed, and seamlessly connected to an overall cloud strategy.

- Traditional Windows Shell with Advanced Lockdown Features
- Full Windows UI support (e.g. UWP, WinForms, etc)

### Applications

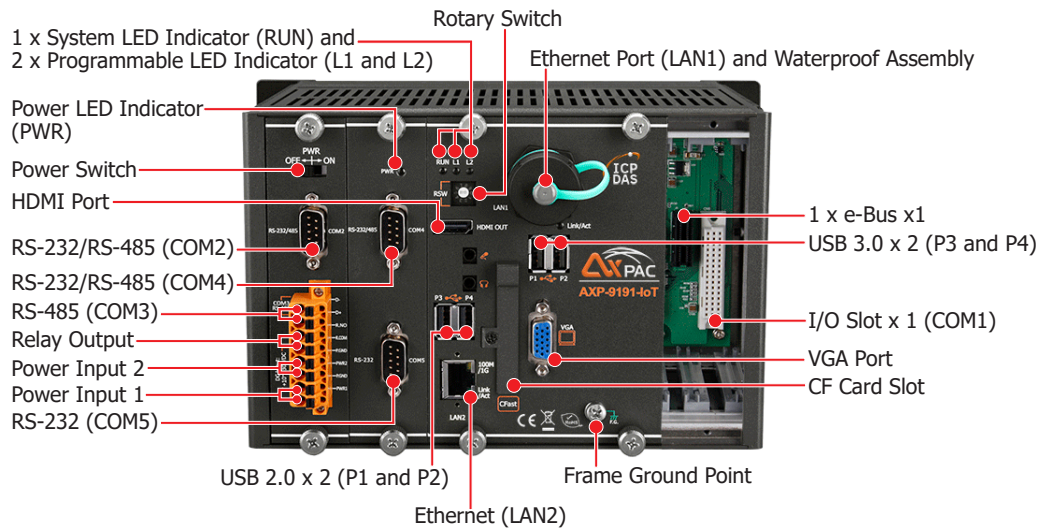


## Specifications

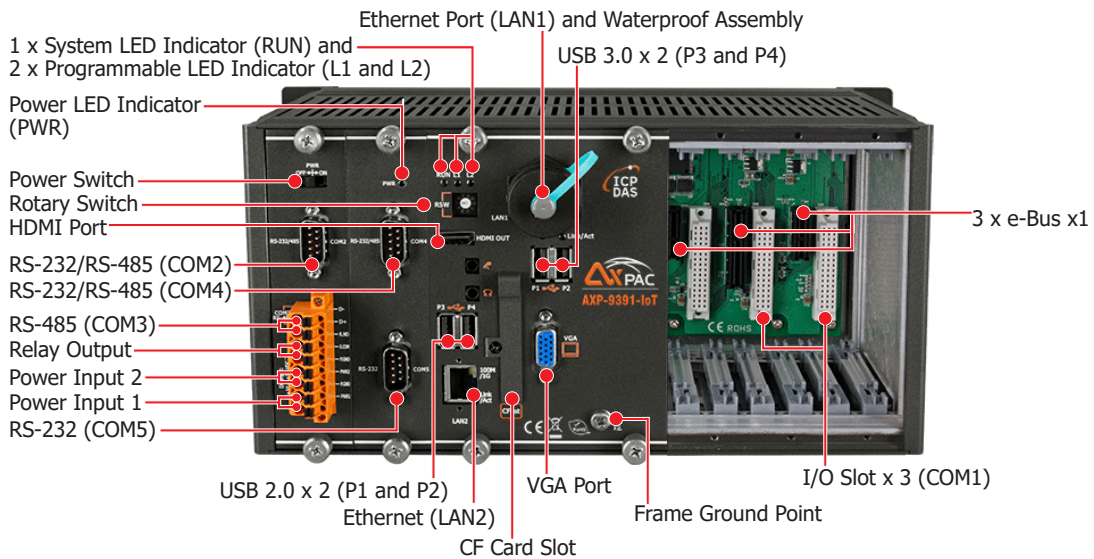
Model	AXP-9191-IoT	AXP-9391-IoT	AXP-9791-IoT
<b>Software</b>			
OS	Windows 10 IoT Enterprise (64-bit)		
Service	IE11, FTP Server, IIS 7.0, ASP (Java Script, VB Script)		
Framework Support	.Net Framework 3.5 ~ 4.8		
Multilanguage Support	English, German, French, Spanish, Portuguese, Russian, Italian, Korean, Japanese, Simplified Chinese, Traditional Chinese		
SDK Provided	DII for VC, DII for Visual Studio.Net		
<b>Main Unit</b>			
CPU	Intel Atom® Processor Apollo Lake E3950, 1.6 ~ 2.0 GHz, 64-bit, 4C4T		
64-bit Hardware Serial Number	Yes, for software copy protection		
System Memory	8 GB DDR4 SDRAM		
Storage	1x128 GB SSD (SATAIII), 1x32 GB CFast card (SATAIII)		
Non-Volatile Memory	128 KB MRAM, 16 KB EEPROM		
Real Time Clock	Provide seconds, minutes, hours, dates, day of week, month, year		
Watchdog Timer	Dual Watchdog Timer		
<b>Display</b>			
Signal	1 x VGA, 1 x HDMI		
Resolution	VGA 1920 x 1200 @ 60Hz, HDMI 4096 x 2160 @ 30P		
Graphic Processor	Intel® HD Graphics 505		
<b>LED Indicators</b>			
Status	1 x System, 2 x Power and 2 x Programmable		
<b>I/O Expansion</b>			
I/O Type	I-9K, I-97K series		
Parallel/Series Bus	1	3	7
e-Bus	1	3	3
<b>COM Ports</b>			
Ports	1 x RS-232 (3000 VDC Isolated), 1 x RS-485 (3000 VDC Isolated), 2 x RS-232/RS-485 (3000 VDC Isolated)		
<b>HMI</b>			
Buzzer	Yes		
Rotary Switch	1 x 10 Position (0 ~ 9)		
Power Switch	Yes		
<b>Audio</b>			
Cable	Microphone-in and Earphone-out		
<b>Ethernet</b>			
Ports	2 x RJ-45, 10/100/1000 Base-TX (Intel® Ethernet Controller I210IT)		
<b>USB</b>			
Ports	2 x USB 2.0, 2 x USB 3.0		
<b>Power</b>			
Capacity	25 W supply to CPU and backplane, 25 W supply to I/O expansion slots and USB ports, 50 W in total		
Input Range	+19 ~ 30 VDC (2 kV Isolated)		
Redundant Power Inputs	Yes, with one power relay (1 A @ 24 VDC) for alarm		
Consumption	19 W	20 W	21 W
<b>Mechanical</b>			
Dimension (W x L x H)	239 x 164 x 133 mm	300 x 164 x 133 mm	422 x 164 x 133 mm
Installation	DIN-Rail, Wall mounting		
Cooling Type	CPU Heat Sink / Fanless		
<b>Environmental</b>			
Operating Temperature	-25 ~ +60 °C		
Storage Temperature	-30 ~ +80 °C		
Humidity	10 ~ 90 % RH (non-condensing)		

## Appearance

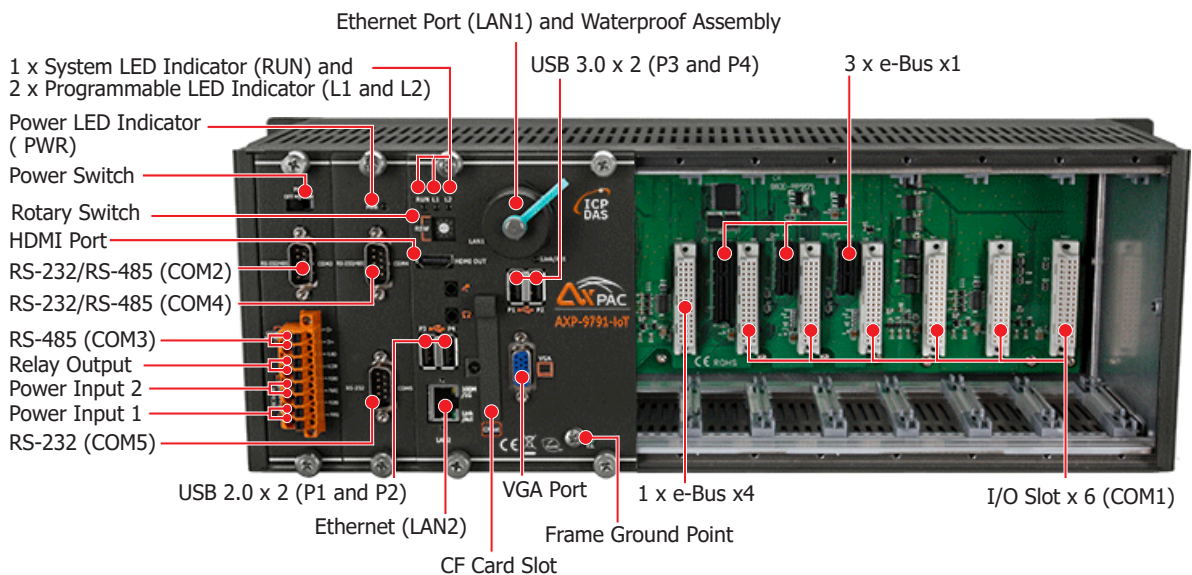
### AXP-9191-IoT



### AXP-9391-IoT

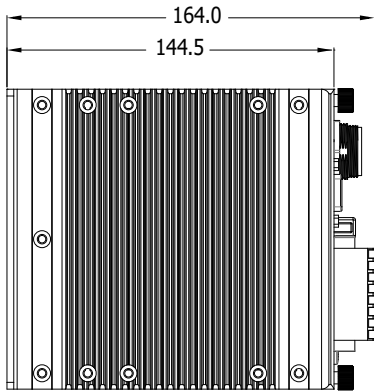


### AXP-9791-IoT



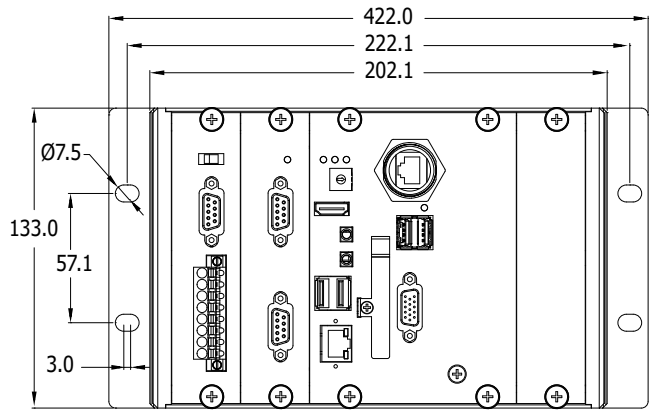
## ■ Dimensions (Units: mm)

**AXP-9191-IoT/AXP-9391-IoT/AXP-9791-IoT**



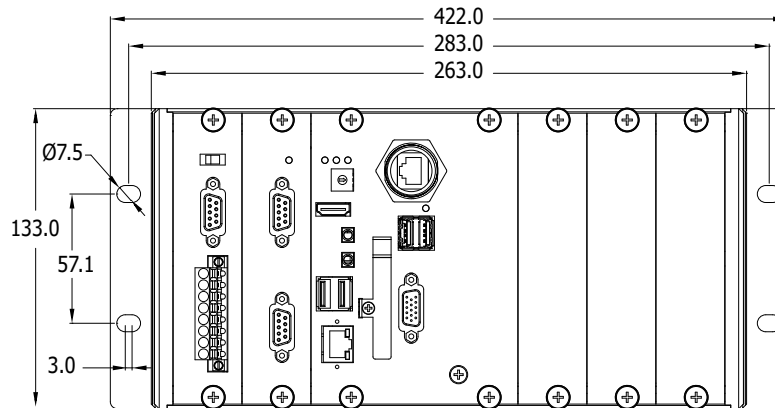
Left Side View

**AXP-9191-IoT**



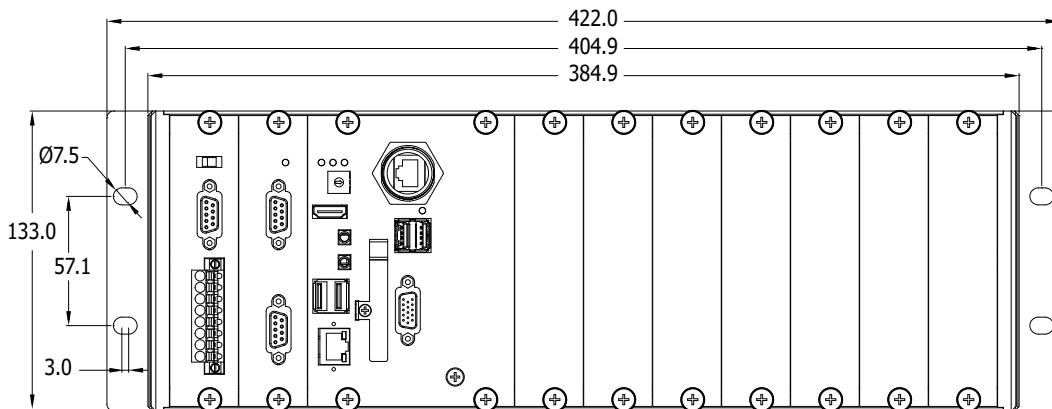
Front View

**AXP-9391-IoT**



Front View

**AXP-9791-IoT**



Front View

## ■ Ordering Information

<b>AXP-9191-IoT CR</b>	1-slot Metal Standard PAC with E3950 CPU and Win10 IoT (RoHS)
<b>AXP-9391-IoT CR</b>	3-slot Metal Standard PAC with E3950 CPU and Win10 IoT (RoHS)
<b>AXP-9791-IoT CR</b>	7-slot Metal Standard PAC with E3950 CPU and Win10 IoT (RoHS)